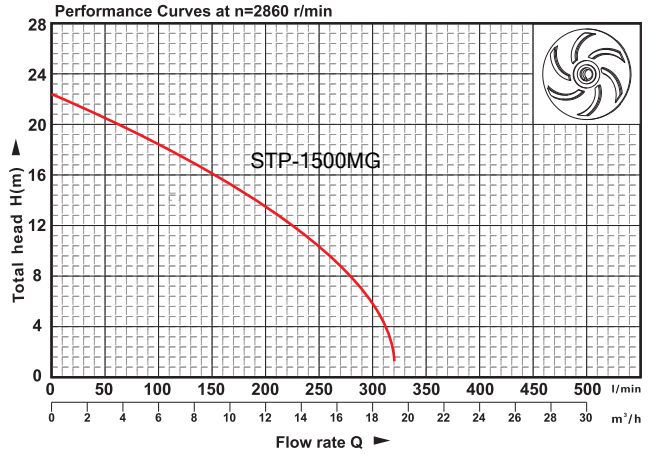
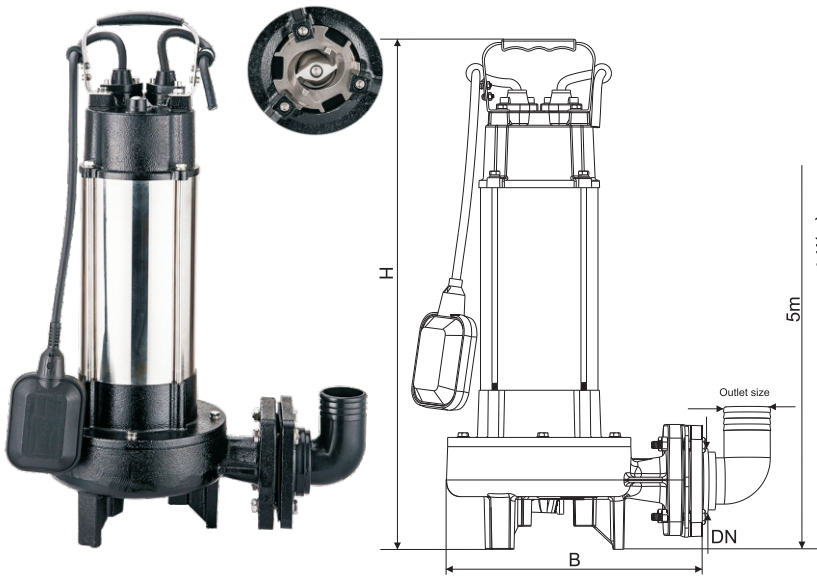


V series submersible cutting pump (Stainless steel motor housing)



Technical Parameter

Model	Power (kw)	Outlet size (mm)	Max.flow (L/min)	Max.head (m)	G.W. (kg)	Package size (cm)	DN	B (mm)	H (mm)
STP-1500MG	1.5	50	300	22	28.5	40*25.5*61	G2"	275	552

Exploded Views

No	Name	Material	No	Name	Material
1	Hex cap screw	11	31	Key	Fe360A
2	Washer	11	32	Motor protector	Combination part
3	Cable gland	NR	33	Stator	Combination part
4	Cable clamp	11	34	Motor housing	11
5	Float switch	Combination part	35	Hex head bolt	11
6	Phillips screw	11	36	Oil chamber	200
7	Hexagonal nut	11	37	O-ring	NBR
8	Cable protector	ABS/ Epoxy	38	Mechanical seal	Graphite/ceramics
9	Seal washer	NBR	39	O-ring	NBR
10	Hex head bolt	11	40	Oil chamber cover	200
11	Washer	11	41	Hex cap screw	11
12	Handle	11	42	Seal washer	NBR
13	Button head screw	11	43	Button head screw	11
14	O-ring	NBR	44	Oil seal	Combination part
15	Hex head bolt	11	45	Impeller	200
16	Spring washer	11	46	Pump casing	200
17	Capacitor cover	200	47	Cutter head	17-4PH
18	O-ring	NBR	48	Hex cap screw	11
19	Capacitor	Combination part	49	Rotary cutter	17-4PH
20	O-ring	NBR	50	Spring washer	11
21	Phillips screw	CuZn40	51	Hex cap screw	11
22	Spring washer	1566	52	Outlet connector	ABS
23	Washer	CuZn40	53	O-ring	NBR
24	Wire protector	NBR	54	Hex head bolt	11
25	Seal washer	NBR	55	Flange	200
26	Motor cover	200	56	Rubber gasket	NBR
27	Wave washer	1566	57	Washer	11
28	Upper bearing	Combination part	58	Hexagonal nut	11
29	Rotor	Combination part	59	Power cord	Combination part
30	Lower bearing	Combination part			