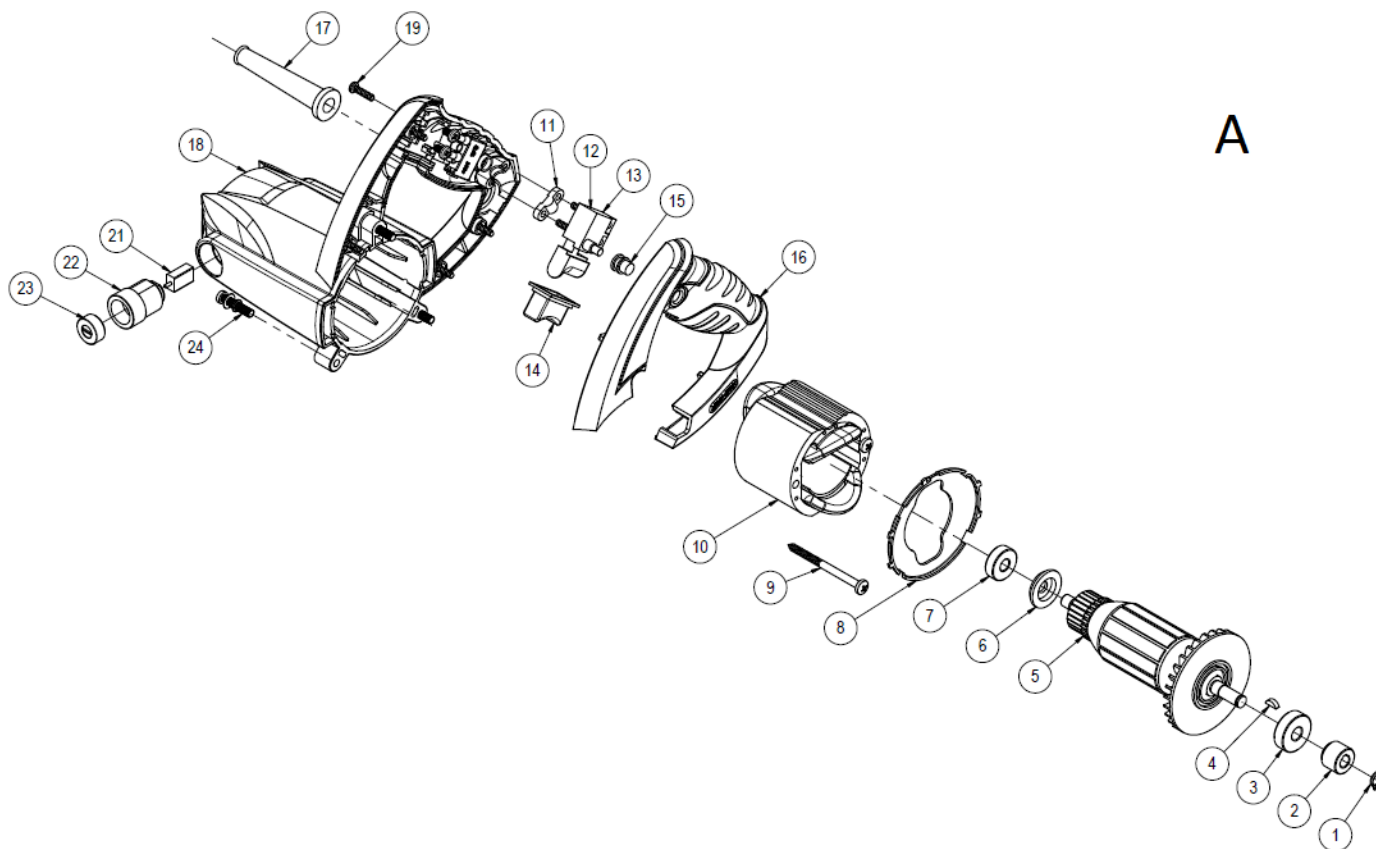


Part-list	ES	EN	Prod.
1	A	GRUPO A	GROUP A
2	B	GRUPO B	GROUP B
3	C	GRUPO C	GROUP C
4	D	GRUPO D	GROUP D
5	E	GRUPO E	GROUP E
6	F	GRUPO F	GROUP F

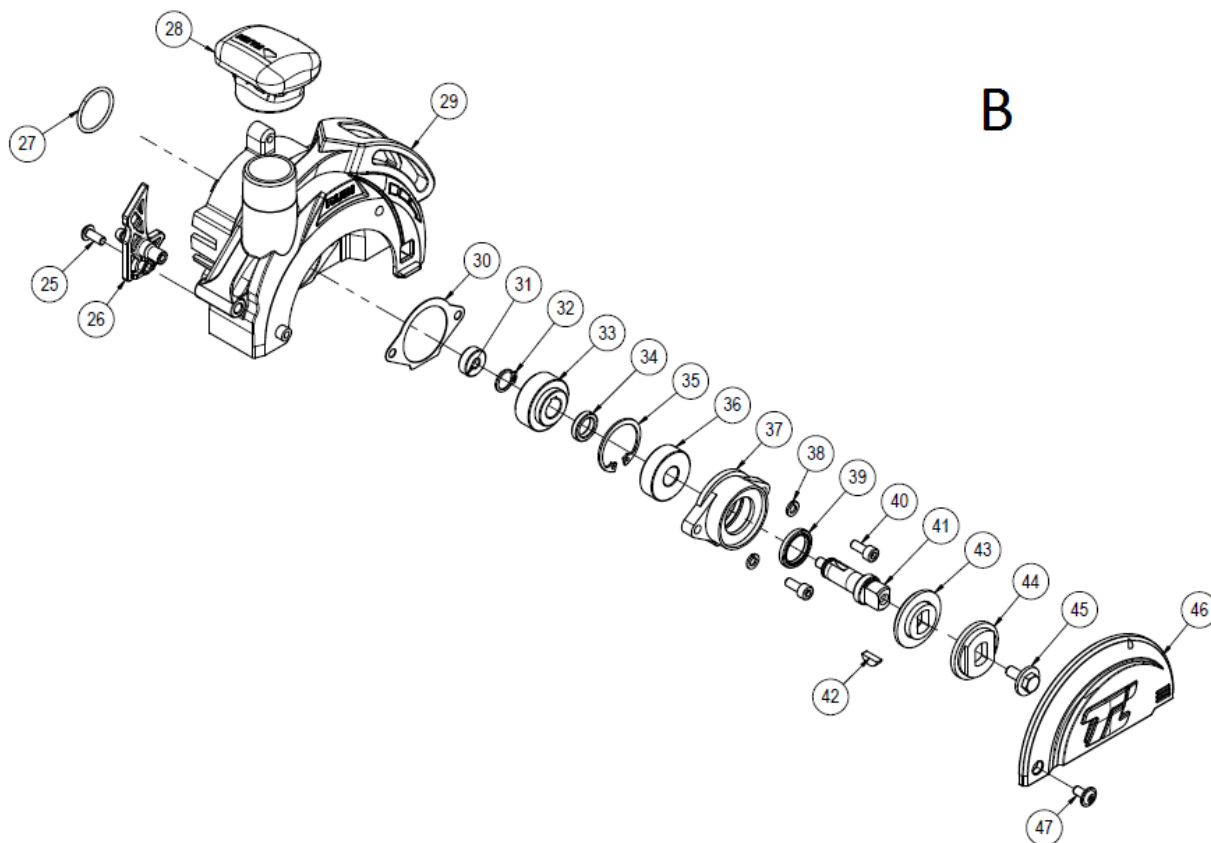
Prod.	ES	EN	From serial num.
50953	TC-125 230V 50HZ CORT.CIRC. 2 BULTOS	TC-125 230V 50HZ CIRCULAR SAW 2 PACK	-
51901	KIT TC-125 230V 50HZ 2 BULTOS	SET TC-125 230V 50HZ 2 PACK	-
51902	KIT TC-125 230V 50HZ UK 2 BULTOS	SET TC-125 230V 50HZ + ACCESSORY GUIDES	-
51903	KIT TC-125 120V 60HZ USA 2 BULTOS	SET TC-125 120V 60HZ USA 2 PACK	-
51904	KIT TC-125 110V 50HZ UK 2 BULTOS	SET TC-125 110V 50HZ + ACCESSORY GUIDES	-
51957	TC-125 120V 60HZ USA CORT.CIRC.ARROWHEAD	TC-125 120V 60HZ USA CIRCULAR SAW	-
51959	TC-125 230V 50HZ UK CORT.CIRC. 2 BULTOS	TC-125 230V 50HZ CIRCULAR SAW + SUCTION	-
51961	TC-125 110V 50HZ UK CORT.CIRC. 2 BULTOS	TC-125 110V 50HZ CIRCULAR SAW + SUCTION	-

Queda reservado el derecho de introducir cualquier modificacion técnica sin previo aviso

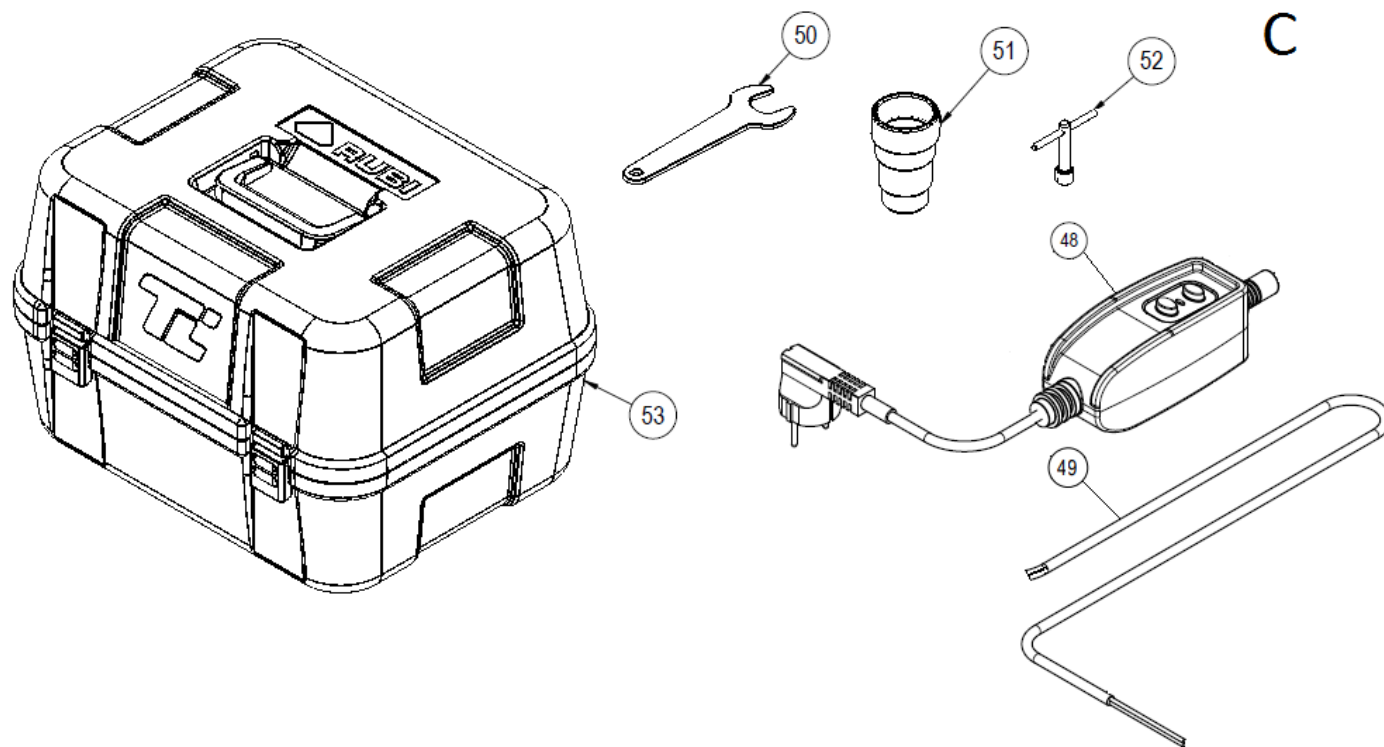
We reserve the right to introduce any technical modification without previous notice



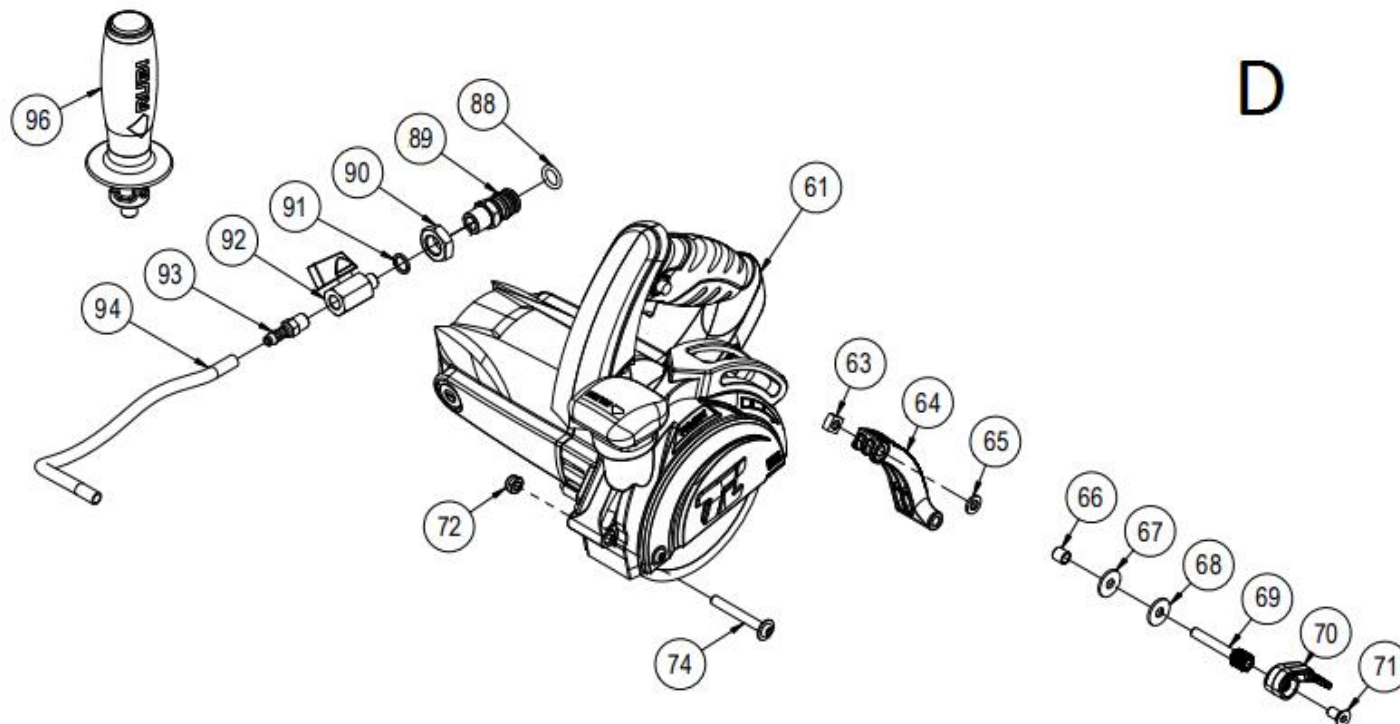
Part-list	ES	EN	Prod.	
1	7162 1	ANILLO DIN 471 Ø 8 ZN	CIRCLIP DIN 471 Ø 8 ZP	
2	51706 1	ENGRANAJE HELI Z17 TC-125	HELICAL GEAR Z17 TC-125	
3	51707 1	RODAMIENTO 629 2RS NSK	BEARING 629 2RS NSK	
4	51721 1	CHAVETA DIN 6888 3X3,7X10	WOODRUFF KEY DIN 6888 3X3,7X10	
5	51709 1	ROTOR TC-125 230 V	ROTOR TC-125 230 V	50953, 51959, 51901, 51902
5	51776 1	ROTOR TC-125 110 V	ROTOR TC-125 110 V	51961, 51957, 51903, 51904
6	51723 1	ARAND AISLANTE	INSULATION WASHER	
7	51724 1	RODAMIENTO 608 2RS WTOO	BEARING 608 2RS WTOO	
8	51725 1	ANILLO DEFLECTOR	BAFFLE RING	
9	51726 2	TORN ST4,8X65 6.8 ZN	SCREW ST4,8X65 6.8 ZN	
10	51727 1	ESTATOR TC-125 230V	STATOR TC-125 230V	50953, 51959, 51901, 51902
10	51779 1	ESTATOR TC-125 110V	STATOR TC-125 110V	51961, 51957, 51903, 51904
11	51728 1	ABRAZADERA CABLE TC-125	CABLE CLAMP TC-125	
12	51729 2	TORN ST3,9X14 6.8 ZN	SCREW ST3,9X14 6.8 ZN	
13	51733 1	INTERRUPTOR TC-125 230 V	SWITCH TC-125 230 V	50953, 51959, 51901, 51902
13	51787 1	INTERRUPTOR TC-125 110 V	SWITCH TC-125 110 V	51961, 51957, 51903, 51904
14	51730 1	PROTECTOR INTERRUPTOR TC-125	SWITCH COVER TC-125	
15	51731 1	TAPA INTERRUPTOR TC-125	LOCK COVER TC-125	
16	51732 1	ASA TC-125	HANDLE COVER TC-125	
17	51734 1	PROTECCION CABLE TC-125	CORD GUARD TC-125	
18	51735 1	CARCASA MOTOR TC-125	MOTOR HOUSING TC-125	
19	51736 5	TORN ST3,9X16 6.8 ZN	SCREW ST3,9X16 6.8 ZP	
21	51809 2	JUEGO ESCOBILLAS TC-125 110V (2 UN)	CARBON BRUSH SET TC-125 110V (2 UN)	51961, 51957, 51903, 51904
21	51764 2	JUEGO ESCOBILLAS TC-125 230V (2 UN)	CARBON BRUSH SET TC-125 230V (2 UN)	50953, 51959, 51901, 51902
22	51737 2	PORTAESCOBILLAS TC-125	BRUSH HOLDER TC-125	
23	51738 2	TAPA ESCOBILLAS TC-125	BRUSH CAP TC-125	
24	51750 3	TORNILLO M5X25 6.8 ZN	SCREW M5X25 6.8 ZN	



Part-list	ES	EN	Prod.
25	51740 1	TORN ISO 7380 M5X12 6.8 ZN	SCREW ISO 7380 M5X12 6.8 ZP
26	51679 1	ADAPTADOR PARA AGUA TC-125	WATER COOLING ADAPTER TC-125
27	51741 1	JUNTA TORICA OR 24,8X2,1	O-RING OR 24,8X2,1
28	51681 1	TAPON ANTIPOLVO TC-125	RUBBER CAP TC-125
29	51675 1	FRONTAL ALUMINIO TC-125	ALUMINIUM HOUSING TC-125
30	51765 1	JUNTA CELULOSA TC-125	CELLULOSE GASKET TC-125
31	51743 1	RODAMIENTO 606 2Z WTOO	BEARING 606 2Z WTOO
32	57339 1	ANILLO DIN 471 Ø 12 ZN	WASHER DIN 471 DIA.12 ZP
33	51745 1	ENGRANAJE HELI Z40 TC-125	HELICAL GEAR Z40 TC-125
34	51746 1	CASQ 18X12X4 FE	BUSHING 18X12X4 FE
35	61261 1	ANILLO DIN 472 Ø 32	CIRCLIP DIN 471 Ø12
36	51748 1	RODAMIENTO 6201 2RS WTOO	BEARING 6201 2RS WTOO
37	51676 1	BRIDA RODAMIENTOS TC-125	BEARING HOUSING TC-125
38	51763 2	ARAND DIN 127 M5	WASHER DIN 127 M5
39	51751 1	RETEN TC 125	SEALED OIL RING TC 125
40	5531 2	TORN DIN 912 M5X12 8.8 ZN	SCREW DIN 912 M5x12 8.8 ZP
41	51753 1	EJE TC-125	SPINDLE TC-125
42	51752 1	CHAVETA DIN 6888 4X5X13	WOODRUFF KEY DIN 6888 4X5X13
43	51677 1	PLETINA INTERIOR TC-125	INNER FLANGE TC-125
44	51678 1	PLETINA EXTERIOR TC-125	OUTER FLANGE TC-125
45	51754 1	TORN M6X16 6,8 ZN	SCREW M6X16 6.8 ZN
46	51674 1	TAPA PROTECCION DISCO TC-125	SAFETY COVER TC-125
47	51742 1	TORN ISO 7380 ARAND. M5X10 8.8 ZN	SCREW ISO 7380 AR M5X10 8.8

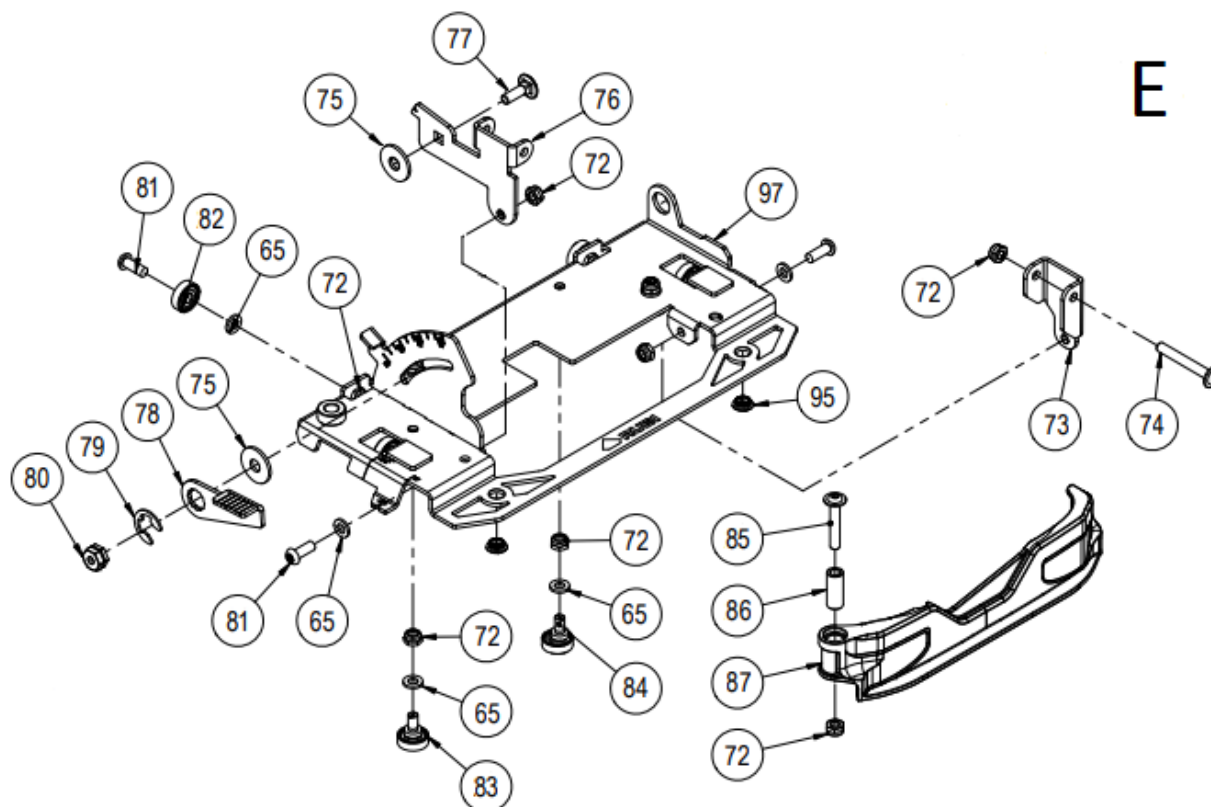


Part-list	ES	EN	Prod.	
48	51658 1	ENCHUFE CABL.PRC D 3X1,5 230/50 LV-VDA	PRCD CABLE PLUG 3X1,5 230/50 LV-VDA	50953, 51901
48	51777 1	ENCHUFE CABL.PRC D 3X1,5 230/50 LV-BS	PRCD CABLE PLUG 3X1,5 230/50 LV-BS	51959, 51902
48	51780 1	ENCHUFE CABL.PRC D 3X1,5 110/50 LV-BS	PRCD CABLE PLUG 3X1,5 110/50 LV-BS	51961, 51904
48	52223 1	ENCHUFE CABL.PRC D 3X1,5 110/60 LV-NEM	PRCD CABLE PLUG 3X1,5 120/60 LV-NEMA	51957, 51903
49	52222 1	CABLE 2X1 1,9 M	CABLE 2X1 1,9 M	
50	51683 1	LLAVE PLANA 22 MM	OPEN SPANNER 22 MM	
51	51680 1	ADAPTADOR ASPIRACION TC-125	VACUUM HOSE ADAPTER TC-125	
52	51682 1	LLAVE DE TUBO 10 MM	T-SOCKET SPANNER 10 MM	
53	51684 1	MALETA TC-125	CASE TC-125	



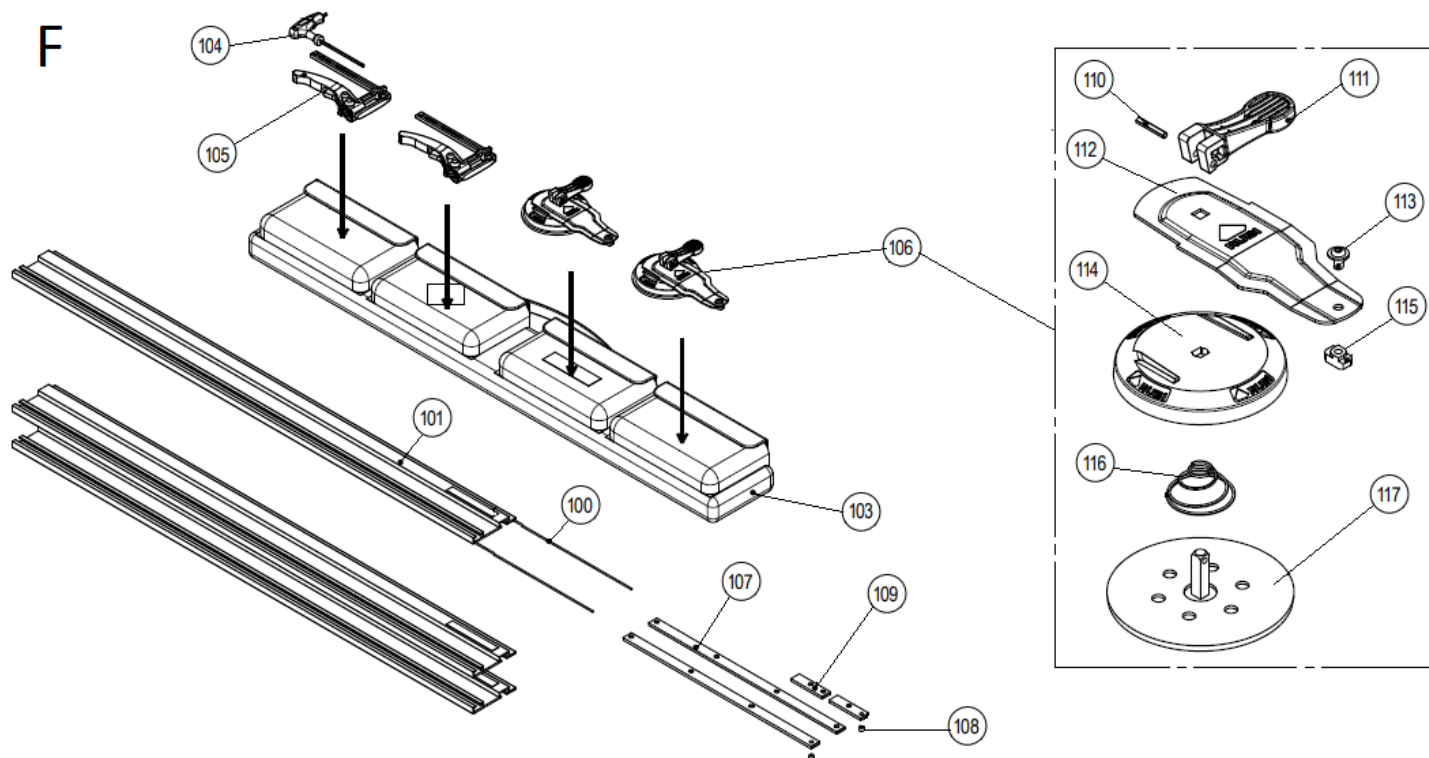
D

Part-list	ES	EN	Prod.	
61	51704 1	CJ.MAQUINA TC-125 110V 50HZ UK	MOTOR SET TC-125 110V 50HZ UK	51961, 51904
61	51701 1	CJ.MAQUINA TC-125 120V 60HZ USA	MOTOR SET TC-125 120V 60HZ USA	51957, 51903
61	51703 1	CJ.MAQUINA TC-125 230V 50HZ UK	MOTOR SET TC-125 230V 50HZ UK	51959, 51902
61	51655 1	CJ.MAQUINA TC-125 230V 50HZ	MOTOR SET TC-125 230V 50HZ	50953, 51901
63	56124 1	TUERCA DIN 557 M6 CUADRADA CL8 ZN	SQUARE NUT DIN 557 M6 CL8 ZP	
64	51665 1	GUIA VERTICAL TC-125 MM	DEEPNESS GUIDE TC-125 MM	
65	25177 11	ARAND DIN 125 A6,4 ZN	WASHER DIN 125 A6,4 ZP	
66	51667 1	CASQ 6,2X8X8 FE ZN	SPACER 6,2X8X8 STEEL ZP	
67	50002 1	ARAND DIN 9021 A6,4 PA	WASHER DIN 9021 A6,4 PA	
68	45038 1	ARAND DIN 9021 A6,4 ZN	WASHER DIN 9021 A6,4 ZP	
69	51666 1	EJE BLOQUEO TC-125	LOCKING SCREW TC-125	
70	51668 1	PALANCA BLOQUEO TC-125	PLASTIC LOCKING LEVER TC-125	
71	60680 1	TORN DIN 7991 M6X12 6.8 ZN	SCREW DIN 7991 M6X12 6.8 ZP	
72	40020 13	TUERCA DIN 985 M6 CL8 ZN AUTOBLOC	HEX LOCK NUT DIN 985 M6 CL8 ZP	
88	51648 1	JUNTA TORICA 11X2.5 NBR 70 SHORE A	O-RING 11X2.5 NBR 70 SHORE A	
89	51687 1	CONECTOR RAPIDO MANGUERA H G1/8"	HOSE QUICK CONNECTOR F G1/8	
90	60032 1	TUERCA DIN 936 M14 CL8 ZN	NUT DIN 936 M14 CL8 ZP	
91	51285 1	JUNTA GAS 1/8 10X13X1,5	SEALING RING O GAS 1/8 10X13X1,5	
92	51685 1	MICRO VALVULA MH G1/8"	MINI BALL VALVE MF G1/8"	
93	51686 1	ADAPTADOR Ø6 -R1/8" PA	HOSE TAIL CONNECTOR Ø6-R1/8" PA	
94	51649 1	TUBO PVC CRISTAL Ø6X8 230 MM	PVC TRANSP. PIPE Ø6X8 230 MM	
96	54889 1	CJ.EMPUÑADURA M10 RUBI DU-EVO C/TAPON	RUBI HANDLE M10 SET WITH CAP DU-EVO	



Part-list	ES	EN	Prod.
65	25177 11	ARAND DIN 125 A6,4 ZN	WASHER DIN 125 A6,4 ZP
72	40020 13	TUERCA DIN 985 M6 CL8 ZN AUTOBLOC	HEX LOCK NUT DIN 985 M6 CL8 ZP
73	51662 1	CHAPA REGULACION ALTURA TC-125	HEIGHT ADJUSTMENT PLATE TC-125
74	51672 2	TORN ISO 7380 M6X45 10.9 ZN	SCREW ISO 7380 M6X45 10.9 ZP
75	51785 2	ARAND 24X8,4X2	WASHER 24X8,4X2
76	51661 1	CHAPA REGULACIÓN 45° TC-125	45° ADJUSTMENT PLATE TC-125
77	51669 1	TORN DIN 603 M6X18 6.8 ZN	SCREW DIN 603 M6X18 6.8 ZP
78	51664 1	PALANCA CHAPA REGULACION TC-125	STEEL LOCKING LEVER 45° TC-125
79	51671 1	ANILLO ELAST. DIN 6799 12 INOX A2	CIRCLIP DIN 6799 12 SS A2
80	51663 1	TUERCA RANURADA TC-125	SPECIAL NUT TC-125
81	24207 6	TORN ISO 7380 M6X16 8.8 ZN	SCREW ISO 7380 M6X16 8.8 ZP
82	51806 4	RODAMIENTO 626 2RZ INOX CUBIERTA GOMA	BEARING 626 2RZ SS RUBBER COVER
83	51808 2	CJ.RODAMIENTO FIJO TC-125 V2	FIXED SHAFT W/BEARING SET TC-125 V2
84	51807 2	CJ.RODAMIENTO EXCENTRICO TC-125 V2	ECCENTRIC SHAFT W/BEARING SET TC-125 V2
85	51689 1	TORN ISO 7380 M6X35 10.9 ZN	SCREW ISO 7380 M6X35 10.9 ZP
86	51647 1	CASQ 6X10X24,5 FE ZN	SPACER 6X10X24,5 STEEL ZN
87	51688 1	TAPA PROTECCION LATERAL TC-125	SAFETY COVER TC-125
95	51695 2	TAPON FINAL LB 10X13	BLANKING PLUG - LB 10X13
97	51657 1	CHASIS CARRO TC-125	STEEL CHASSIS PLATE TC-125





Part-list	ES	EN	Prod.
100	18219 6	JUNTA TORICA Ø 2,5 BLANCA	O-RING Ø 2,5 WHITE
101	18218 3	GUIA SLIM CUTTER	GUIDE SLIM CUTTER
103	18230 1	BOLSA DE TRANSPORTE SLIM CUTTER	CARRY BAG SLIM CUTTER
104	18654 1	LLAVE ALLEN BOLA 4 MM MANGO T	T HANDLE END BALL HEX KEY 4 MM
105	52220 2	SARGENTO RAPIDO F 120X60 ROJO	F QUICK CLAMP 120X60 RED
106	18834 2	ACCESORIO VENTOSA SLIM CUTTER	SUCTION PAD ACCESORY SLIM CUTTER
107	18728 2	GUIA DE UNION 20X5X450 V2	UNION GUIDE 20X5X450 V2
108	18732 12	PRISIONERO DIN 913 M8X8 8.8 ZN	PIN DIN 913 M8X8 8.8 ZP
109	18729 2	GUIA DE UNION 20X5X75 V2	UNION GUIDE 20X5X75 V2
110	65318 2	PASADOR DIN 7343 Ø 4X24	PIN DIN 7343 Ø 4X24
111	65337 2	MANGO VENTOSA V3 GRIS	SUCTION PUMP HANDLE V3 GREY
112	51698 2	PLACA FIJACION VENTOSA SLIM CUTTER V2	SUCTION CUP ASSEMBLY SLIM CUTTER V2
113	55591 2	TORN ISO 7380 AR M6X10 10.9 ZN TUFLOCK	SCREW ISO 7380 AR M6X10 10.9 ZP
114	65339 2	CUERPO VENTOSA V5	SUCTION PAD BODY V5
115	18215 2	TUERCA CARRIL T-M6 SLIM CUTTER	NUT RAIL T-M6 SLIM CUTTER
116	65254 2	MUELLE VENTOSA	SUCTION PAD SPRING
117	65837 2	CJ.GOMA VENTOSA RM	RUBBER SUCTION PUMP RM SET