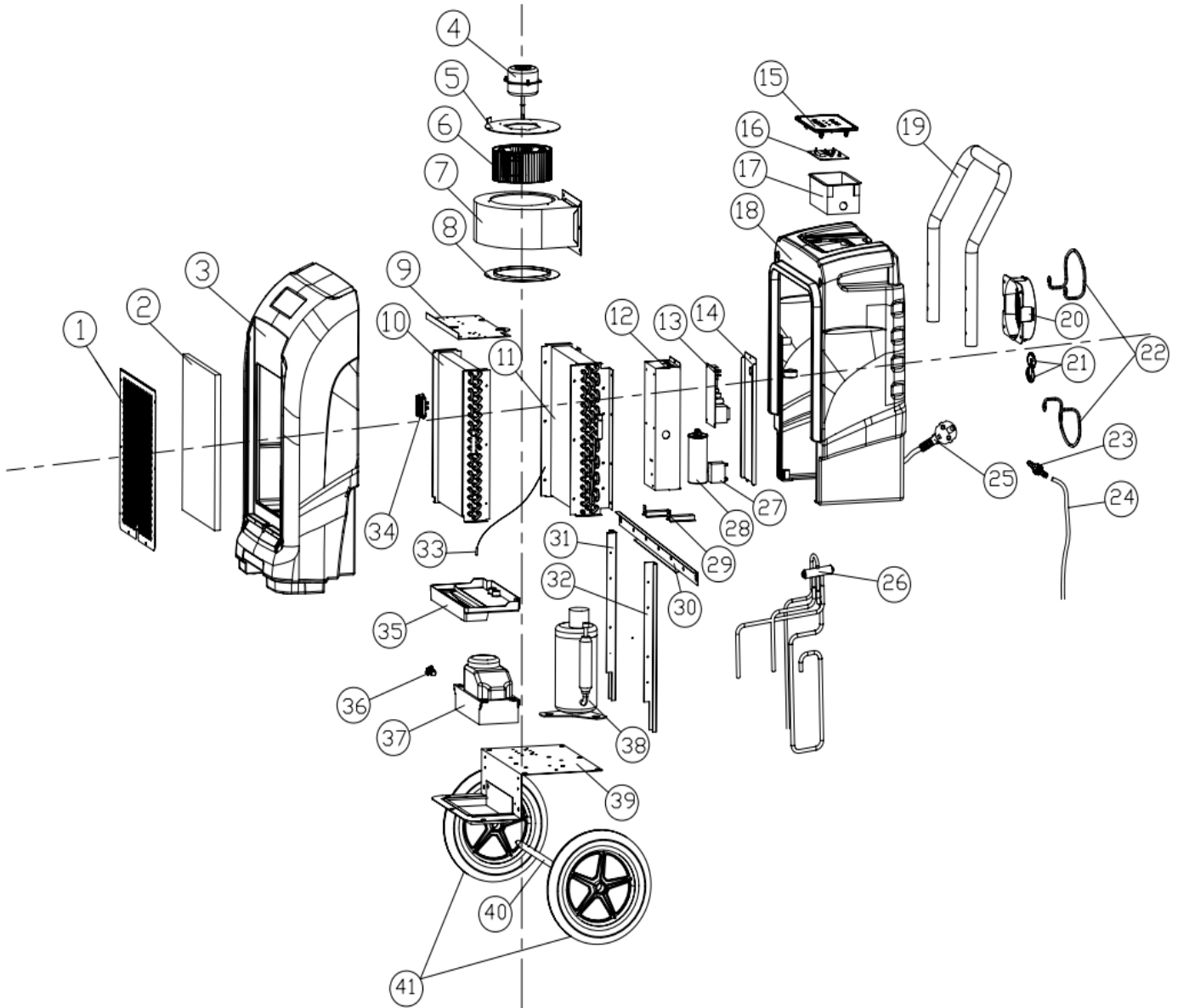


Exploded View Parts for Model: DY-65L



No.	Part Name	Required Qty	Unit Price(US\$)	Amount(US\$)	Remark
1	Air Inlet Grille				
2	Air Filter				
3	Front Housing				
4	Fan Motor				
5	Motor Installing Plate				
6	Fan Blade				
7	Spiral Casing				
8	Fan Inlet Ring				
9	Heat Exchanger Cover				
10	Evaporator				
11	Condenser				
12	Main Control Board Box				
13	Main Control Board				
14	Main Control Board Box Cover				
15	Control Board				
16	Display Board				
17	Electrical Control Box				

18		Rear Housing				
19		Handle				
20		Air Outlet Grille				
21		Power Cord Clamp				
22		Water Pipe Holder				
23		Water Pipe Connector				
24		Drainage Pipe				
25		Power Cord				
26		Hot Gas Device				
27		Fan Motor Capacitor				
28		Compressor Capacitor				
29		Bracket				
30		Connecting Rod				
31		Right Knighthead				
32		Left Knighthead				
33		Humidity Sensor				
34		Temperature Sensor				
35		Water Tray				
36		Water Pump Stopper				
37		Water Pump				
38		Compressor				
39		Chassis				
40		Axle				
41		Wheels				
42		Manual				
43		Logo Label				
44		Control Panel				
45		Carton Box				