

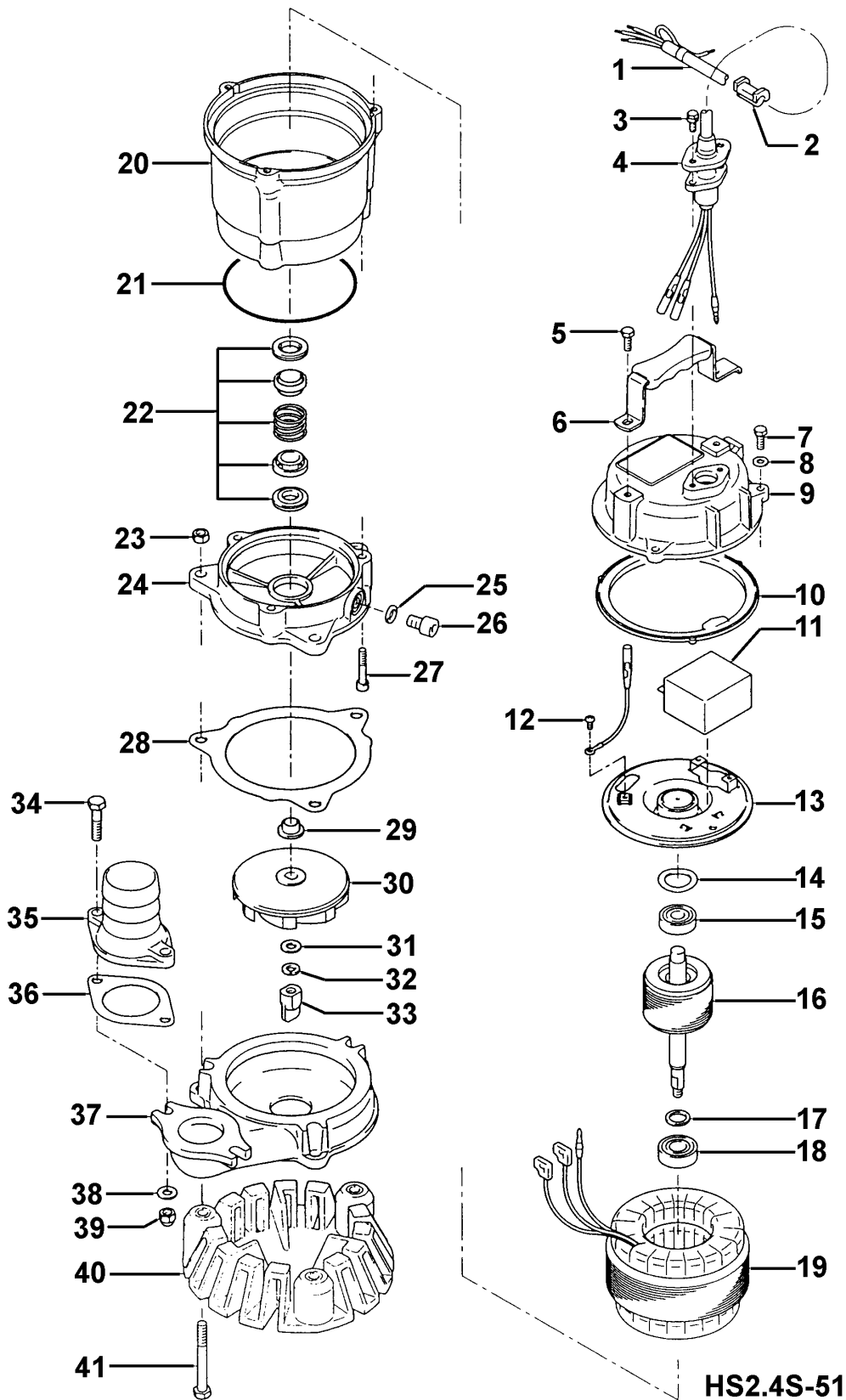
**HS2.4S-51**

Kontroll-Nr. --

2020-02-03 V.18 / 1.10.2015

HS2.4S-51			
Item	Item no.	Description	Quant.
1	001-007-43	Cable Set (10m) 230V-50HZ(EUR) H07RN3Cxt1mm2(CEE-W/PLUG) LB(HAR)	1
1-1	010-146-13	Spacer 20x10x2t (NBR)	1
2	010-134-18	Cable Clip Rubber HS3-4 NBR	1
3	140-427-17	Hex.Bolt (w/Plain Washer) M6x15 SUS304 (EN X5CrNi18-10)	2
4	003-190-10	Gland SUS316 (EN X5Cr-Ni-Mo17-12-2)	1
5	140-032-37	Hex.Bolt M6x15 SWRM	2
6	068-259-19	Handle HS-Series	1
7	140-036-15	Hex.Bolt M6x25 SUS304 (EN X5CrNi18-10) Stainless Steel	3
8	142-126-19	Plain Washer M6 SUS304 (EN X5CrNi18-10) Stainless Steel	3
9	051-250-18	Motor Head Cover ADC	1
10	121-546-14	Packing d120xd142x6.2t NBR	1
11	076-150-14	Capacitor 230V SH-Z.530VAC-8MF	1
12	143-073-26	Pan Screw M4x4 BSBM	1
13	050-451-18	Motor Bracket SECD	1
14	142-192-16	Wave Washer 6201(D=32,t=0.4) SK5	1
15	052-100-15	Bearing 6201ZZC3	1
16	055-773-14	Rotor	1
17	061-180-17	Bearing Collar d15.1xd20x1.6t SS	1
18	052-101-16	Bearing 6202ZZC3	1
19	056-B06-13	Stator 230V 220-240V	1
21	122-133-17	O-Ring G-110 NBR	1
22	025-000-45	Mechanical Seal W-14VCA SiC	1
23	141-005-34	Hex.Nut M8 S35C	3
24	029-000-58	Oil Casing HS2.4(S)-51/61 FC	1
25	121-246-11	Packing (Oil Plug) d10.3xd16x2t PE	1
26	035-124-12	Oil Plug M10x15 SUS304 (EN X5CrNi18-10)	1
27	140-256-26	Hex. Socket Cap Bolt M6x35 SCM	3
28	121-499-11	Packing HS3-4 (NR)	1
29	071-292-14	Shaft Sleeve LB3-250/480 SUS304 (EN X5CrNi18-10) Stainless Steel	1
30	021-007-43	Impeller 50Hz	1
30	021-007-44	Impeller (60Hz) 60Hz Urethane Rubber	1
31	142-127-23	Plain Washer M8 SPC	1
32	142-163-34	Spring Washer M8 SWRH	1
33	024-174-13	Stirrer HS2.4(S)(M8) Sintered Alloy	1
34	140-057-38	Hex.Bolt M8x35 SWRM	2
35	032-000-67	Hose Coupling 50mm(LB2-480) ADC	1
36	121-138-19	Packing (Screwed Flange) LB(P.C.84) NBR	1
37	020-000-41	Pump Casing HS2.4(S)-52/62 FC	1
38	142-127-23	Plain Washer M8 SPC	2
39	141-005-34	Hex.Nut M8 S35C	2
40	023-453-16	Strainer Stand SK2.4S PVC	1
41	140-064-12	Hex.Bolt M8x70 SUS304 (EN X5CrNi18-10) Stainless Steel	3
	173-550-12	Packing & O-Ring Set	1
	##oilVG32	ml Turbine Oil ISO VG32	150

# Exploded View HS2.4S-51



HS2.4S-51

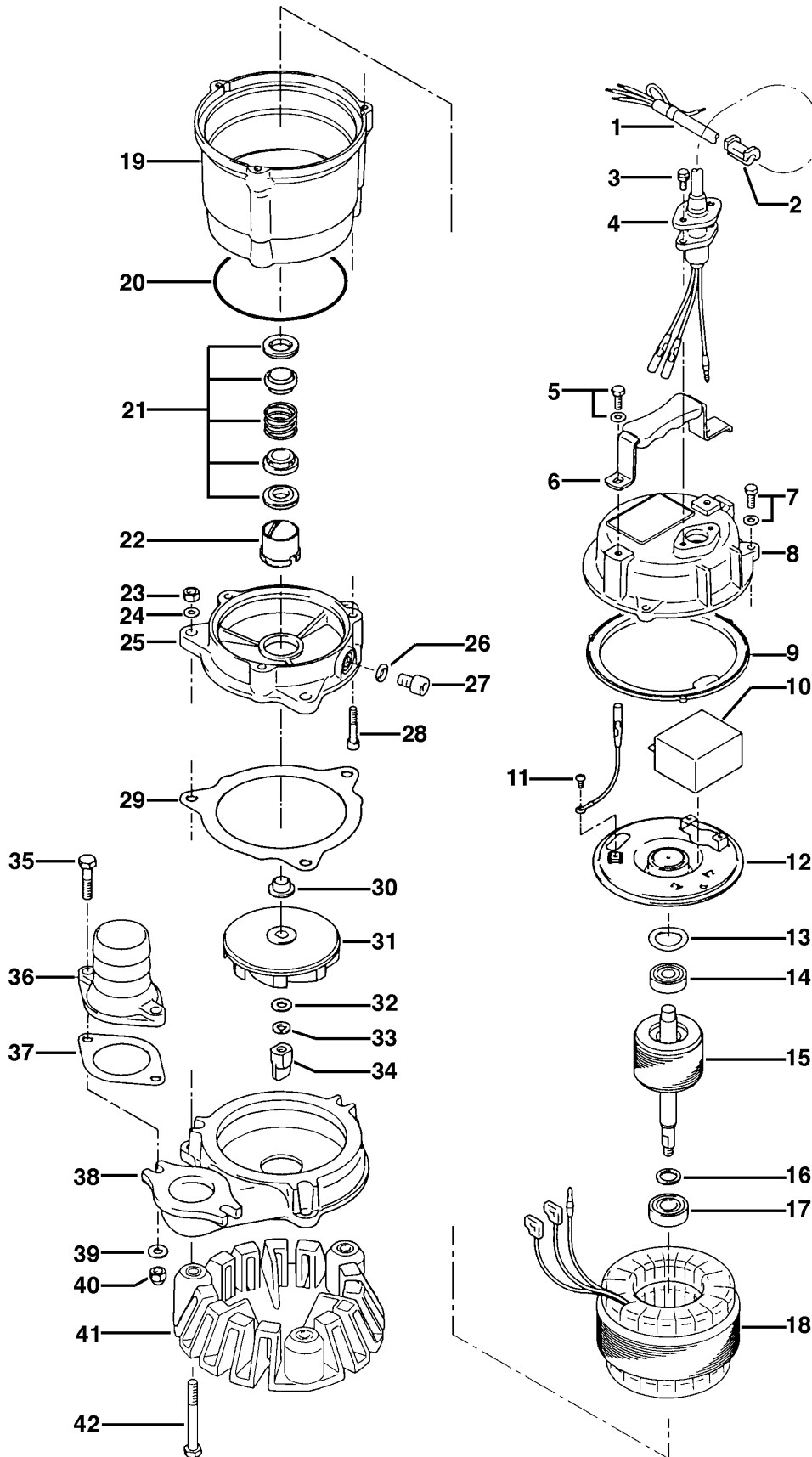
**HS2.4S-52**

Kontroll-Nr. --

2020-02-03 V.18 / 1.10.2015

HS2.4S-52			
Item	Item no.	Description	Quant.
1	001-007-43	Cable Set (10m) 230V-50HZ(EUR) H07RN3C1mm2(CEE-W/PLUG) LB(HAR)	1
2	010-134-18	Cable Clip Rubber HS3-4 NBR	1
2	010-163-16	Cable Clip Rubber HS2.4S NBR	1
3	140-427-17	Hex.Bolt (w/Plain Washer) M6x15 SUS304 (EN X5CrNi18-10)	2
4	003-190-10	Gland SUS316 (EN X5Cr-Ni-Mo17-12-2)	1
5	140-032-37	Hex.Bolt M6x15 SWRM	2
6	068-259-19	Handle HS-Series	1
7	140-431-14	Hex.Bolt (w/Plain Washer) M6x25 SUS304 (EN X5CrNi18-10) Stainless Steel	3
8	051-250-18	Motor Head Cover ADC	1
9	121-546-14	Packing d120xd142x6.2t NBR	1
10	076-161-18	Capacitor 220/230/240V-50HZ SH-CAP.580VAC-8MF(3Terminal)	1
11	143-073-26	Pan Screw M4x4 BSBM	1
12	050-486-12	Motor Bracket SECD	1
13	142-192-16	Wave Washer 6201(D=32,t=0.4) SK5	1
14	052-100-15	Bearing 6201ZZC3	1
15	055-889-14	Rotor (HS2.4S-51/52, LSC1.4S-51, LB-480-52)	1
16	061-180-17	Bearing Collar d15.1xd20x1.6t SS	1
17	052-101-16	Bearing 6202ZZC3	1
18	056-C70-19	Stator 220/230/240V-50HZ	1
19	064-516-15	Motor Frame ADC	1
20	122-133-17	O-Ring G-110 NBR	1
21	025-000-45	Mechanical Seal W-14VCA SiC	1
22	030-000-09	Oil Lifter W-14VL Resin	1
23	141-005-34	Hex.Nut M8 S35C	3
24	142-127-23	Plain Washer M8 SPC	1
25	029-000-58	Oil Casing HS2.4(S)-51/61 FC	1
26	121-246-11	Packing (Oil Plug) d10.3xd16x2t PE	1
27	035-124-12	Oil Plug M10x15 SUS304 (EN X5CrNi18-10)	1
28	140-256-26	Hex. Socket Cap Bolt M6x35 SCM	3
29	121-000-20	Packing HS-4E NR	1
30	071-292-14	Shaft Sleeve LB3-250/480 SUS304 (EN X5CrNi18-10) Stainless Steel	1
31	021-007-43	Impeller 50Hz	1
31	021-007-44	Impeller (60HZ) 60Hz Urethane Rubber	1
32	142-127-23	Plain Washer M8 SPC	1
33	142-163-34	Spring Washer M8 SWRH	1
34	024-174-13	Stirrer HS2.4(S)(M8) Sintered Alloy	1
35	140-057-38	Hex.Bolt M6x35 SWRM	2
36	032-000-67	Hose Coupling 50mm(LB2-480) ADC	1
36	032-432-17	Hose Coupling (for EUR) HS2.4S,45 Deg.,BSPT2(R2) FC	1
37	121-138-19	Packing (Screwed Flange) LB(P.C.84) NBR	1
38	020-000-41	Pump Casing HS2.4(S)-52/62 FC	1
39	142-127-23	Plain Washer M8 SPC	2
40	141-005-34	Hex.Nut M8 S35C	2
41	023-453-16	Strainer Stand SK2.4S PVC	1
42	140-064-25	Hex.Bolt M6x70 SWRM	3
	173-550-12	Packing & O-Ring Set	1
	##oilVG32	ml Turbine Oil ISO VG32	160

# Exploded View HS2.4S-52



HS2.4S-52

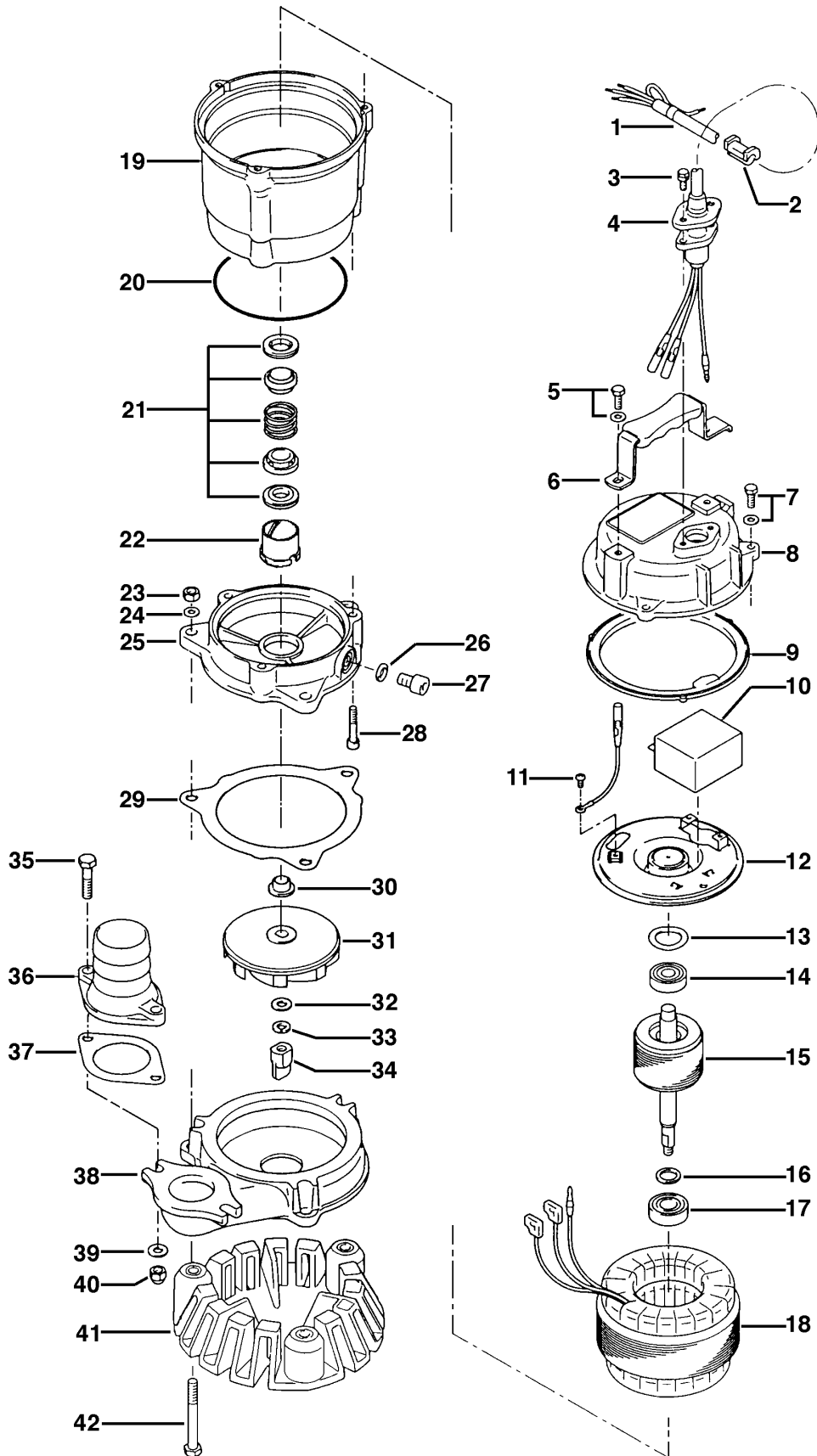
**HS2.4S-53**

Kontroll-Nr. --

2020-02-03 V.18 / 1.10.2015

HS2.4S-53			
Item	Item no.	Description	Quant.
1	001-007-43	Cable Set (10m) 230V-50HZ(EUR) H07RN3C1mm2(CEE-W/PLUG) LB(HAR)	1
2	010-134-18	Cable Clip Rubber HS3-4 NBR	1
3	140-427-17	Hex.Bolt (w/Plain Washer) M5x15 SUS304 (EN X5CrNi18-10)	2
4	003-190-10	Gland SUS316 (EN X5Cr-Ni-Mo17-12-2)	1
5	140-032-37	Hex.Bolt M6x15 SWRM	2
6	068-259-19	Handle HS-Series	1
7	140-431-14	Hex.Bolt (w/Plain Washer) M6x25 SUS304 (EN X5CrNi18-10) Stainless Steel	3
8	051-250-18	Motor Head Cover ADC	1
9	121-546-14	Packing d120xd142x6.2t NBR	1
10	076-000-35	Capacitor SH-CAP.500VAC-8MF	1
11	143-086-35	Pan Screw M4x8 BSBM	1
12	050-486-12	Motor Bracket SECD	1
13	142-192-16	Wave Washer 6201(D=32,t=0.4) SK5	1
14	052-100-15	Bearing 6201ZZC3	1
15	055-000-29	Rotor (HS2.4S-53, LSC1.4S-52, LB-480-53)	1
16	061-180-17	Bearing Collar d15.1xd20x1.6t SS	1
17	052-101-16	Bearing 6202ZZC3	1
18	056-	Stator	1
19	064-516-15	Motor Frame ADC	1
20	122-133-17	O-Ring G-110 NBR	1
21	025-000-05	Mechanical Seal W-14VL SiC+CCBN	1
22	030-000-09	Oil Lifter W-14VL Resin	1
23	141-005-34	Hex.Nut M8 S35C	3
24	142-127-23	Plain Washer M8 SPC	1
25	029-000-58	Oil Casing HS2.4(S)-51/61 FC	1
26	121-246-11	Packing (Oil Plug) d10.3xd16x2t PE	1
27	035-124-12	Oil Plug M10x15 SUS304 (EN X5CrNi18-10)	1
28	140-256-26	Hex. Socket Cap Bolt M6x35 SCM	3
29	121-000-20	Packing HS-4E NR	1
30	071-292-14	Shaft Sleeve LB3-250/480 SUS304 (EN X5CrNi18-10) Stainless Steel	1
31	021-007-43	Impeller 50Hz	1
31	021-007-44	Impeller (60Hz) 60Hz Urethane Rubber	1
32	142-127-23	Plain Washer M8 SPC	1
33	142-163-34	Spring Washer M8 SWRH	1
34	024-174-13	Stirrer HS2.4(S)(M8) Sintered Alloy	1
35	140-057-38	Hex.Bolt M8x35 SWRM	2
36	032-000-67	Hose Coupling 50mm(LB2-480) ADC	1
36	032-432-17	Hose Coupling (for EUR) HS2.4S,45 Deg.,BSPT2(R2) FC	1
37	121-138-19	Packing (Screwed Flange) LB(P.C.84) NBR	1
38	020-000-41	Pump Casing HS2.4(S)-52/62 FC	1
39	142-127-23	Plain Washer M8 SPC	2
40	141-005-34	Hex.Nut M8 S35C	2
41	023-453-16	Strainer Stand SK2.4S PVC	1
42	140-064-12	Hex.Bolt M8x70 SUS304 (EN X5CrNi18-10) Stainless Steel	3
	173-550-12	Packing & O-Ring Set	1
	##oilVG32	ml Turbine Oil ISO VG32	160

# Exploded View HS2.4S-53



HS2.4S-53