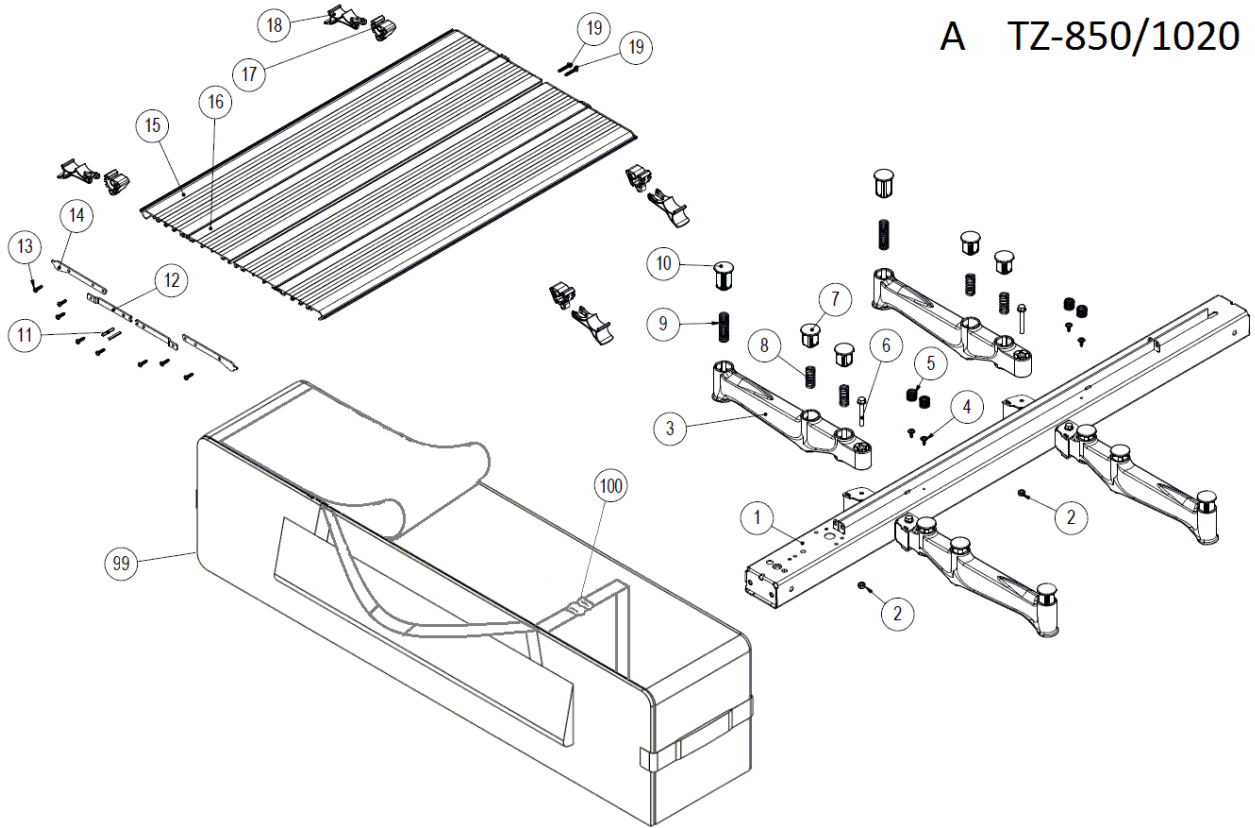


Part-list	ES	EN	Prod.	
1	A	GRUPO BASE TZ-850/1020	BASE GROUP TZ-850/1020	17952, 17956, 17951, 17955
2	A	GRUPO BASE TZ-1300/1550	BASE GROUP TZ-1300/1550	17953, 17957, 17954, 17958
3	B	GRUPO ESCUADRA Y TOPE LATERAL	SIDE STOP & SQUARE GROUP	
4	C	GRUPO GUIAS Y SOPORTES	GUIDE AND SUPPORT GROUP	
5	D	GRUPO PORTHERRAMIENTAS Y CORREDERAS	TOOLHOLDER AND SLIDER GROUP	
6	E	GRUPO FRENO	BRAKE GROUP	

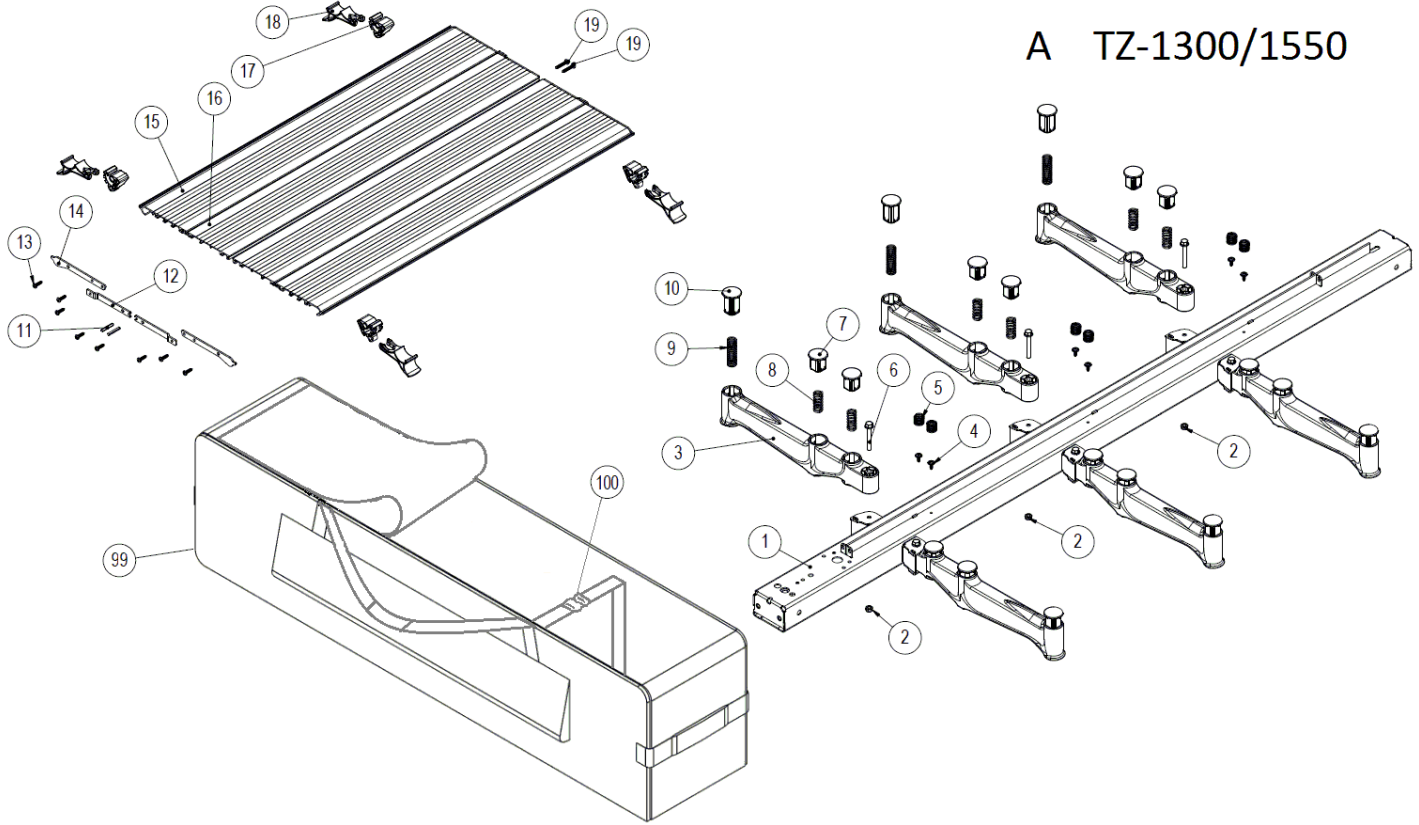
Prod.	ES	EN	From serial num.
17951	TZ-1020 -CORTADOR MANUAL	TZ-1020	500
17952	TZ-850 -CORTADOR MANUAL	TZ-850	500
17953	TZ-1300 -CORTADOR MANUAL	TZ-1300	500
17954	TZ-1550 -CORTADOR MANUAL	TZ-1550	500
17955	TZ-1020 INCH -CORTADOR MANUAL	TZ-1020 INCH	500
17956	TZ-850 INCH -CORTADOR MANUAL	TZ-850 INCH	500
17957	TZ-1300 INCH -CORTADOR MANUAL	TZ-1300 INCH	500
17958	TZ-1550 INCH -CORTADOR MANUAL	TZ-1550 INCH	500

Queda reservado el derecho de introducir cualquier modificación técnica sin previo aviso
 We reserve the right to introduce any technical modification without previous notice

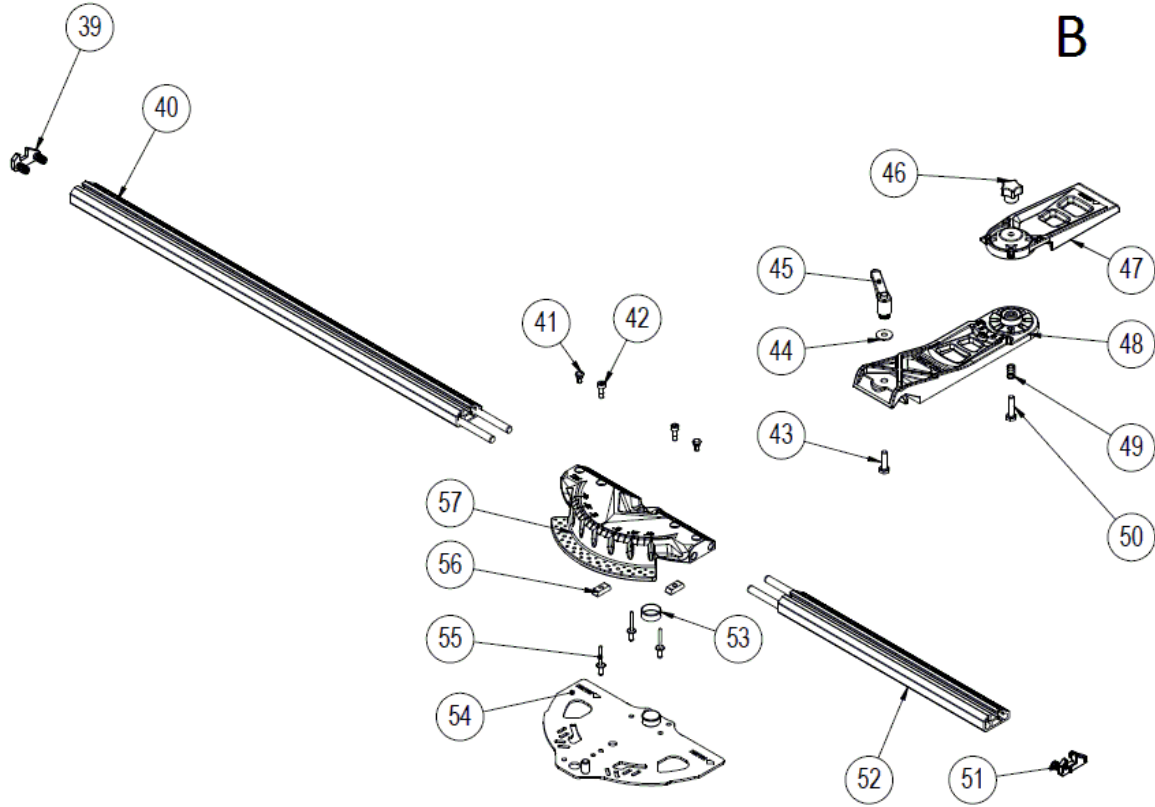


A TZ-850/1020

Part-list	ES	EN	Prod.
1	17709 1	CHASIS TZ-1020	17951, 17955
1	18379 1	CHASIS TZ-850	17952, 17956
2	40020 4	TUERCA DIN 985 M6 CL8 ZN AUTOBLOC	17952, 17956, 17951, 17955
3	17756 4	BRAZO SUSPENSION MESAS TZ	17952, 17956, 17951, 17955
4	18378 4	TORN DIN 7981 4,2X13 6.8 ZN ARAND	
5	18377 4	MUELLE COMPRESION 14,25X15 Ø1,3	
6	16259 4	TORN DIN 6921 M6X45 8.8 ZN	17952, 17956, 17951, 17955
7	17755 8	TOPE SUSPENSION MESAS TZ	17952, 17956, 17951, 17955
8	12097 8	MUELLE COMPRESION 35,2X13 Ø1,7	17952, 17956, 17951, 17955
9	16258 4	MUELLE COMPRESION 11,3X14,7X72,3	17952, 17956, 17951, 17955
10	17757 4	TOPE SUSPENSION CERAMICA BRAZO TZ	17952, 17956, 17951, 17955
11	16042 2	PASADOR ISO 8740 Ø4X26 6.8	
12	16071 4	PLETINA BISAGRA MESA INTERIOR TZ	
13	50211 16	TORN DIN 7981 3,9X16 ST 6.8 ZN	
14	16072 4	PLETINA BISAGRA MESA EXTERIOR TZ	
15	16252 2	MESA EXTERIOR ABIERTA 700	17952, 17956, 17951, 17955
16	16251 2	MESA INTERIOR ABIERTA 700	17952, 17956, 17951, 17955
17	16075 4	SOPORTE PINZA MESA TZ	
18	16257 4	PINZA MESA TZ	
19	71100 2	TORN DIN 7981 4,2X25 INOX A2	
99	17725 1	MALETA TRANSPORTE TZ-1020	17951, 17955
99	18388 1	MALETA TRANSPORTE TZ-850	17952, 17956
100	18674 2	CIERRE MALETA TZ	

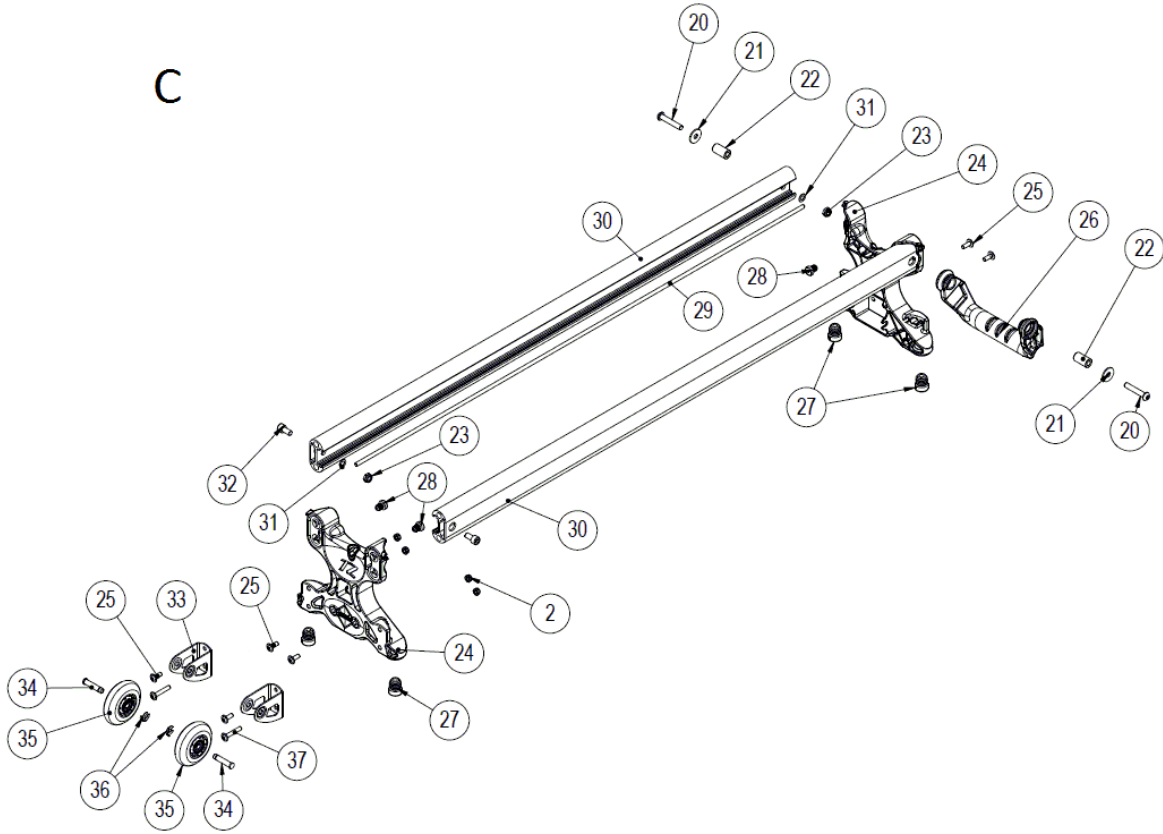


Part-list	ES	EN	Prod.
1	18380 1	CHASSIS TZ-1300	17953, 17957
1	18381 1	CHASSIS TZ-1550	17954, 17958
2	40020 6	TUERCA DIN 985 M6 CL8 ZN AUTOBLOC	17954, 17958, 17953, 17957
3	17756 6	BRAZO SUSPENSION MESAS TZ	17954, 17958, 17953, 17957
4	18378 4	TORN DIN 7981 4,2X13 6.8 ZN ARAND	
5	18377 4	MUELLE COMPRESION 14,25X15 Ø1,3	
6	16259 6	TORN DIN 6921 M6X45 8.8 ZN	17954, 17958, 17953, 17957
7	17755 12	TOPE SUSPENSION MESAS TZ	17954, 17958, 17953, 17957
8	12097 12	MUELLE COMPRESION 35,2X13 Ø1,7	17954, 17958, 17953, 17957
9	16258 6	MUELLE COMPRESION 11,3X14,7X72,3	17954, 17958, 17953, 17957
10	17757 6	TOPE SUSPENSION CERAMICA BRAZO TZ	17954, 17958, 17953, 17957
11	16042 2	PASADOR ISO 8740 Ø4X26 6.8	
12	16071 4	PLETINA BISAGRA MESA INTERIOR TZ	
13	50211 16	TORN DIN 7981 3,9X16 ST 6.8 ZN	
14	16072 4	PLETINA BISAGRA MESA EXTERIOR TZ	
15	16262 2	MESA EXTERIOR ABIERTA 1150	17954, 17958, 17953, 17957
16	16261 2	MESA INTERIOR ABIERTA 1150	17954, 17958, 17953, 17957
17	16075 4	SOPORTE PINZA MESA TZ	
18	16257 4	PINZA MESA TZ	
19	71100 2	TORN DIN 7981 4,2X25 INOX A2	
99	18390 1	MALETA TRANSPORTE TZ-1550	17954, 17958
99	18389 1	MALETA TRANSPORTE TZ-1300	17953, 17957
100	18674 2	CIERRE MALETA TZ	

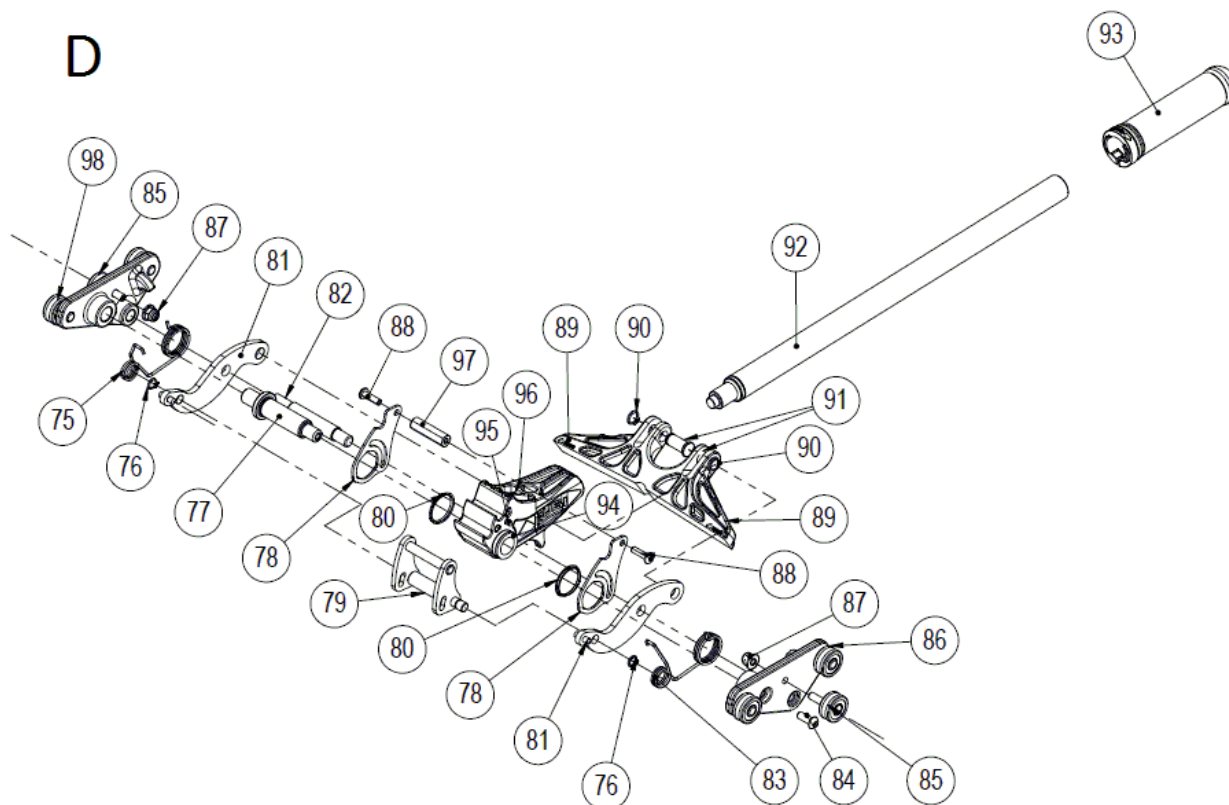


B

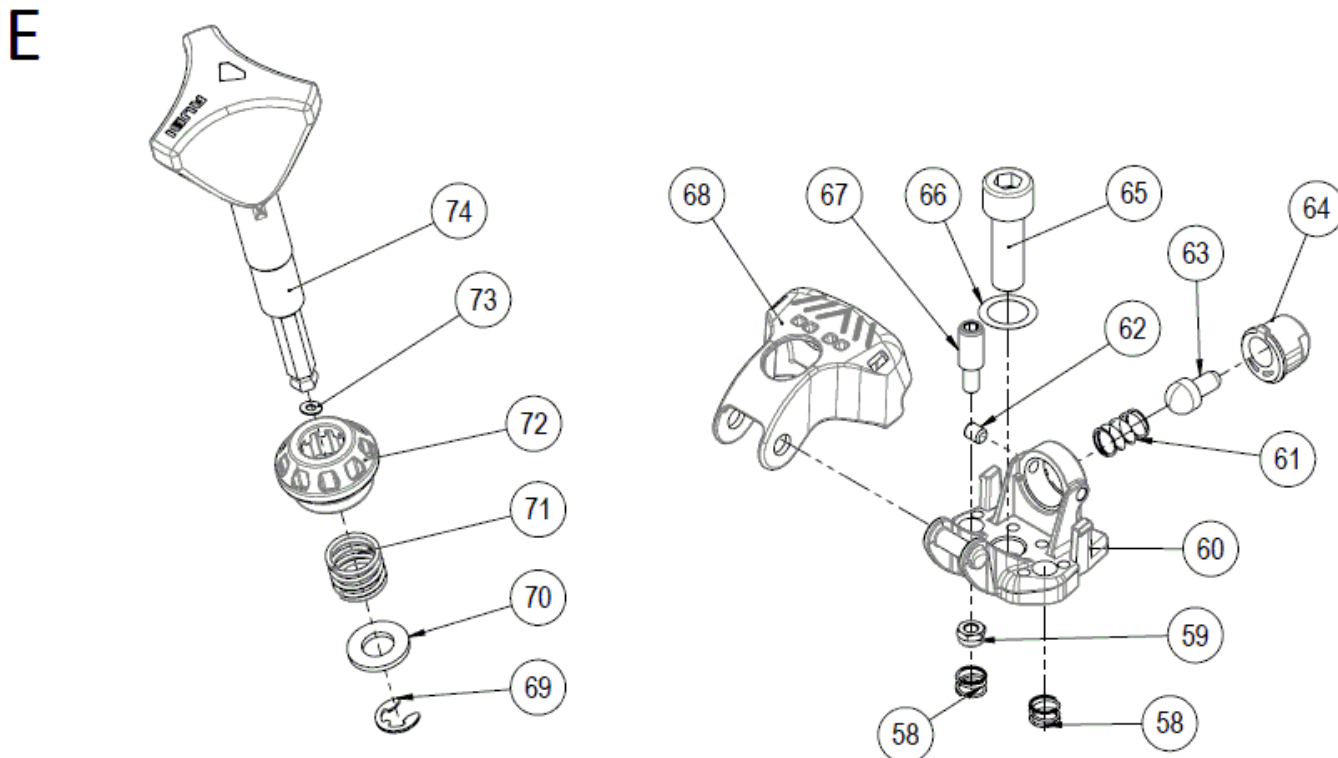
Part-list	ES	EN	Prod.	
39	16012 1	CONTERA DER.TOPE EXTENSIBLE TZ	RIGHT GUIDE RIBBED INSERT TZ	
40	18495 1	CJ.TOPE EXTENSIBLE DER.600 MM TZ GR.INCH	RIGHT SQUARE EXT.600 SET TZ RULER INCH	17956, 17955, 17957, 17958
40	18494 1	CJ.TOPE EXTENSIBLE DER.600 MM TZ GRAB.MM	RIGHT SQUARE EXT.600 SET TZ RULER MM	17952, 17951, 17953, 17954
41	18484 2	REMACHE PLASTICO Ø5 L=4-5MM NEGRO	PLASTIC RIVET Ø5 L=4-5MM BLACK	
42	18645 2	TORN DIN 912 M5x14 8.8 ZN PRES.	SCREW DIN 912 M5x14 8.8 ZP PRELOK	
43	16086 1	TORN DIN 933 M6x22 6.8 ZN	SCREW DIN 933 M6x22 6.8 ZP	
44	45038 1	ARAND DIN 9021 A6,4 ZN	WASHER DIN 9021 A6,4 ZP	
45	51355 1	MANETA REGULABLE HEMBRA M6	ADJUSTABLE CLAMP HANDLE FEMALE M6	
46	25338 1	POMO HEMBRA M6 NEGRO	KNOB FEMALE M6 BLACK	
47	16029 1	TOPE LATERAL ORIENTABLE TZ	ADJUST. SUPPLEMENT TZ LATERAL STOPPER	
48	17758 1	TOPE LATERAL FIJO 190 TZ	LATERAL STOPPER BODY 190 TZ	
49	12403 1	MUELLE COMPRESION 15,2X7,8 Ø0,8	COMPRESSION SPRING 15,2X7,8 Ø0,8	
50	7164 1	TORN DIN 933 M6x25 6.8 ZN	SCREW M6x25 DIN 933 6.8 ZP	
51	16011 1	CONTERA IZQ.TOPE EXTENSIBLE TZ	LEFT FRONT GUIDE RIBBER INSERT TZ	
52	18497 1	CJ.TOPE EXTENSIBLE IZQ.320 MM TZ GR.INCH	LEFT SQUARE EXT.320 SET TZ RULER INCH	17956, 17955, 17957, 17958
52	18496 1	CJ.TOPE EXTENSIBLE IZQ.320 MM TZ GRAB.MM	RIGHT SQUARE EXT.320 SET TZ RULER MM	17952, 17951, 17953, 17954
53	17670 1	COJINETE PLASTICO Ø20x22x8	PLASTIC PLAIN BEARING Ø20x22x8	
54	17666 1	SOPORTE ESCUADRA CENTRAL TZ	CENTRAL SQUARE PLATE TZ	
55	17754 3	REMACHE DIN 7337-A Ø4,8X10 ACERO&ACERO	RIVET DIN 7337-A Ø4,8X10 ST/ST	
56	16245 2	CHAVETA M5 FIJACION EXTENSIONES ESCUADRA	SPECIAL KEY M5 TZ SQUARE	
57	17729 1	ESCUADRA CENTRAL TZ INCH	CENTRAL SQUARE TZ INCH	17956, 17955, 17957, 17958
57	17669 1	ESCUADRA CENTRAL TZ MM	CENTRAL SQUARE TZ MM	17952, 17951, 17953, 17954



Part-list	ES	EN	Prod.	
2	40020 4	TUERCA DIN 985 M6 CL8 ZN AUTOBLOC	HEX LOCK NUT DIN 985 M6 CL8 ZP	
20	16256 2	TORN ISO 7380 M8X45 8.8 ZN	SCREW ISO 7380 M8X45 8.8 ZP	
21	55047 2	ARAND DIN 9021 A8,4 ZN	WASHER DIN 9021 A8,4 ZP	
22	16255 2	CASQ Ø8XØ15X27 ZN	BUSHING Ø8XØ15X27 ZP	
23	55048 4	TUERCA DIN 985 M8 CL8 ZN AUTOBL.	HEX LOCK NUT DIN 985 M8 CL8 ZP	
24	17717 2	SOPORTE GUIAS TZ	GUIDE SUPPORT TZ	
25	16023 6	TORN ISO 7380 AR M6X16 NOX A2	SCREW ISO 7380 WASHER M6X16 SS A2	
26	17723 1	ASA TRANSPORTE TZ	CARRIAGE HANDLE TZ	
27	17549 4	CONTERA GOMA ESF.Ø 21X25	RUBBER ROUND RIBBED INSERT Ø21X25	
28	17718 4	CONTERA GOMA ESF.Ø 15X17	RUBBER BUMPER Ø15X17	
29	18385 4	GUIA Ø 6 L=1007 CROMADA	CHROMING GUIDE Ø 6 L=1007	17952, 17956
29	17720 4	GUIA Ø 6 L=1177 CROMADA	CHROMING GUIDE Ø 6 L=1177	17951, 17955
29	18386 4	GUIA Ø 6 L=1457 CROMADA	CHROMING GUIDE Ø 6 L=1457	17953, 17957
29	18387 4	GUIA Ø 6 L=1707 CROMADA	CHROMING GUIDE Ø 6 L=1707	17954, 17958
30	18634 2	GUIA TZ-1300 V2	GUIDE TZ-1300 V2	17953, 17957
30	18633 2	GUIA TZ-1020 V2	GUIDE TZ-1020 V2	17951, 17955
30	18635 2	GUIA TZ-1550 V2	GUIDE TZ-1550 V2	17954, 17958
30	18636 2	GUIA TZ-850 V2	GUIDE TZ-850 V2	17952, 17956
31	18641 4	ARAND DIN 988 8X14X1 REGLAJE	WASHER DIN 988 8X14X1	
32	47518 2	TORN DIN 912 M8X16 6.8 ZN	SCREW DIN 912 M8X16 6.8 ZP	
33	17722 2	SOPORTE RUEDA Ø76	WHEEL SUPPORT Ø76	
34	55487 2	BULON RUEDA DU-200 EVO	WHEEL PIN DU-200 EVO	
35	17721 2	RUEDA Ø76X24 SHORE A 82	WHEEL Ø76X24 SHORE A 82	
36	84007 2	CLIP CL 8	CLIP CL 8	
37	17738 2	TORN ISO 7380 AR M6X35 INOX A2	SCREW ISO 7380 AR M6X35 SS A2	



Part-list	ES	EN	Prod.
75	18321 1	MUELLE TORSION DOBLE DER.MANIVELA TZ	RIGHT SPRING HANDLE TZ
76	7163 2	ANILLO DIN 471 Ø 8 PVN	CIRCLIP DIN 471 Ø 8 PVN
77	17685 1	EJE PORTAHERRAM. TZ	TOOLHOLDER AXLE TZ
78	17703 2	BLOQUEO MECANISMO SEPARADOR TZ	BREAKER BLOCKER TZ
79	17705 1	BIELA TZ	CONNECTING ROD TZ
80	18332 2	COJINETE Ø24X25X2 PLASTICO	BEARING Ø24X25X2 PLASTICO
81	18710 2	CJ.MANIVELA TZ	HANDLE SET TZ
82	17684 1	EJE MANIVELA TZ	HANDLE AXLE TZ
83	17753 1	MUELLE TORSION DOBLE IZQ.MANIVELA TZ	LEFT HANDLE SPRING TZ
84	17760 1	TORN DIN 7380 M6X16 IZQ 10.9 ZN	SCREW DIN 7380 M6X16 LEFT 10.9 ZP
85	18640 2	EJE EXCEN.CON ROD.CARRITO TZ V2	ECC.BEARING SHAFT &BEARING TROLLEY TZ V2
86	16024 1	CORREDERA IZQ.CON RODAMIENTOS TZ	LEFT SLIDER WITH BEARINGS TZ
87	19691 2	TUERCA DIN 6926 M6 CL8 ZN	NUT DIN 6926 M6 CL8 6 ZP
88	54779 2	TORN ISO 7380 M5X18 8.8 ZN PRES.	SCREW ISO 7380 M5X18 8.8 ZP PRES.
89	17701 1	SEPARADOR L=200 TZ MECANIZADO	BREAKER L=200 TZ
90	16067 2	ANILLO DIN 471 Ø 10	RETAINING RING DIN-471 Ø10
91	17750 2	BULON SEPARADOR TZ	BREAKER PIN TZ
92	17706 1	PALANCA M16X1,5 L=400 CARRITO TZ	LEVER M16X1,5 L=400 TOOLHOLDER TZ
93	17751 1	MANGO RUBI Ø22	HANDLE RUBI Ø22
94	17702 2	CASQ SELFOIL Ø16X20X16 C/VALONA	BUSHING SELFOIL Ø16X20X16 C/VALONA
95	17711 1	PASADOR ISO 8742 Ø 4X45 ZN	PIN ISO 8742 Ø 4X45 ZP
96	17700 1	PORTAHERRAM.TZ	TOOLHOLDER TZ
97	17752 1	SEPARADOR ROSCADO M5 BLOQUEADOR	SWING LOCK SPACER M5
98	16027 1	CORREDERA DER.CON RODAMIENTOS TZ	RIGHT SLIDER WITH BEARINGS TZ



Part-list	ES	EN	Prod.
58	18553 2	MUELLE PINZA FRENO TZ	BRAKE CLAMP SPRING TZ
59	40045 1	TUERCA DIN 985 M5 CL8 ZN AUTOBLOC	HEX LOCK NUT DIN 985 M5 CL8 ZP
60	16018 1	PINZA FRENO TOPE TZ	SQUARE BRAKE TZ
61	16260 1	MUELLE COMPRESION 8,4X16,2 Ø0,8	COMPRESSION SPRING 8,4X16,2 Ø0,8
62	12491 1	PRISIONERO DIN 916 M5X6	PIN DIN 916 M5X6
63	16248 1	EJE AJUSTE ESCUADRA TZ	ADJUSTMENT PIN TZ GUIDE
64	16247 1	ALOJAMIENTO EXCENTRICO FRENO TZ	ECCENTRIC HOUSING TZ BRAKE
65	13175 1	TORN DIN 912 M10X30 8.8 ZN	SCREW DIN 912 M10X30 8.8 ZP
66	45275 1	ARAND DIN 988 13X19X0,1	WASHER DIN 988 13X19X0,1
67	16246 1	BULON Ø8X14.5 CON VALONA	SHAFT PIN Ø8X14.5
68	16249 1	BOTON AJUSTE ESCUADRA TZ	PUSH BUTTON TZ SQUARE ADJUSTMENT
69	16139 1	ANILLO ELAST.SEGURIDAD DIN 6799 Ø7.0 PV	CIRCLIP DIN 6799 Ø7.0 PV
70	56017 1	ARAND DIN 125 A10,5 ZN	WASHER DIN 125 A10,5 ZP
71	18376 1	MUELLE COMPRESION 15X16 Ø1,5	COMPRESSION SPRING 15X16 Ø1,5
72	18375 1	TOPE FRENO TZ	BRAKE STOPPER TZ
73	47184 1	ARAND DIN 125 A3,2 6.8 ZN	WASHER DIN 125 A3,2 6.8 ZP
74	18374 1	CJ.POMO FRENO TZ	BRAKE KNOB TZ